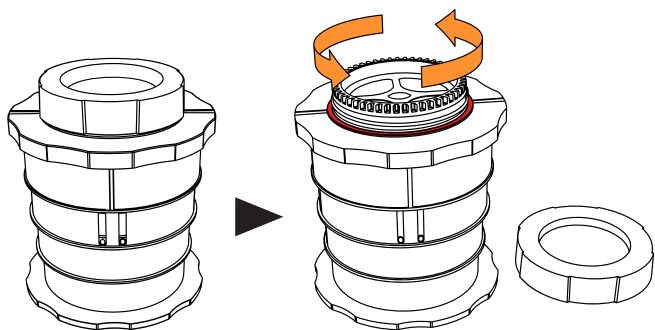
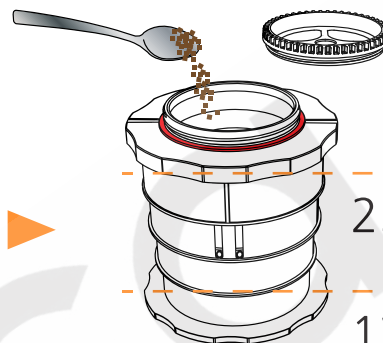


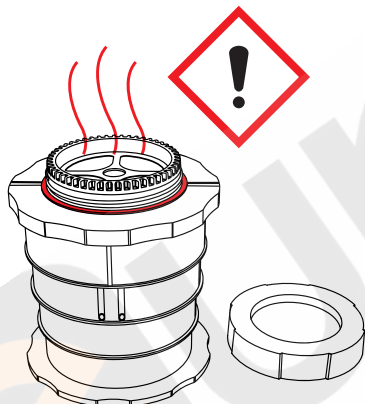
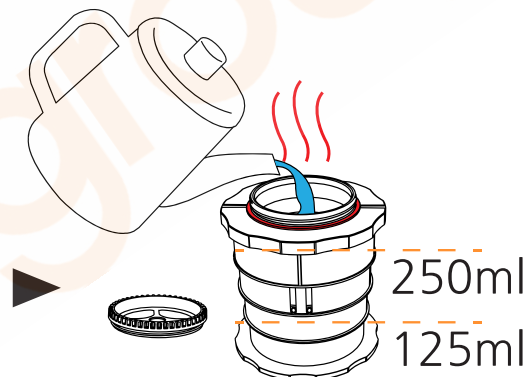
# How to use Cafflano Kompact with hot water



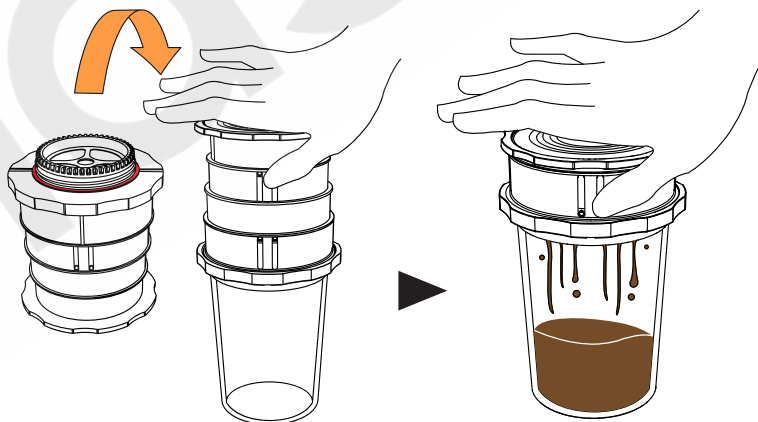
Unscrew Airlock and remove,  
unscrew micro-filter and remove



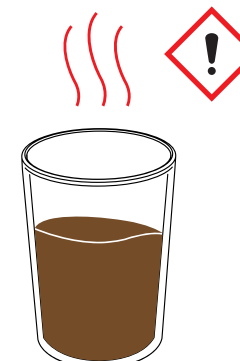
Put ground beans (10~30g as per own tastes)  
and add hot water



Close micro-filter and infuse  
(1~3 min as per own tastes)



Put it on a cup or tumbler and slowly press it one time.  
(Pressing multiple times may result in increased silt)



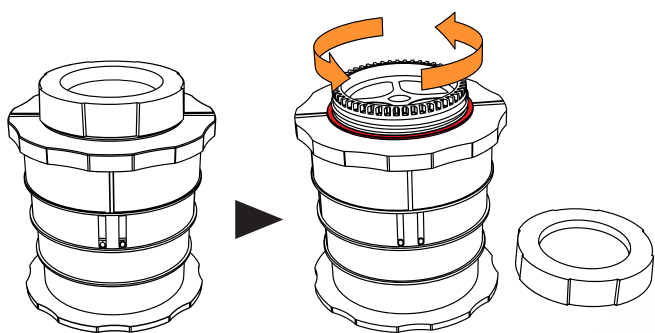
Enjoy freshly  
brewed coffee!

¡PRECAUCIÓN!

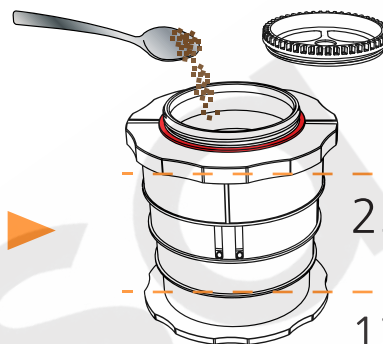


NO CIERRE LA TAPA una vez introducida el agua caliente. El fuelle de la cámara puede expandirse ocasionando el mal funcionamiento.

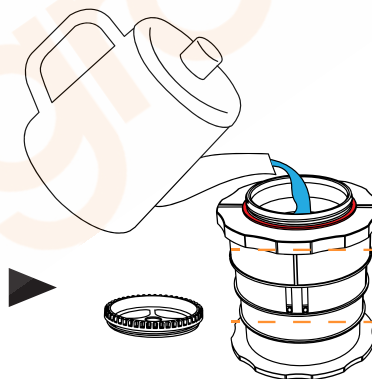
# How to use Cafflano Kompact with cold water



Unscrew Airlock and remove.  
Unscrew micro-filter and remove.

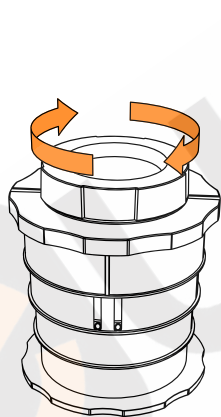


250ml  
125ml



250ml  
125ml

Put ground beans (10~30g as per individual tastes)  
and add room-temperature or cold water



Close micro-filter, seal Airlock and infuse.  
(4~8 hours as per individual tastes)



Put it on a cup or tumbler and slowly press it one time.  
(Pressing multiple times may result in increased silt)



Enjoy freshly brewed coffee!